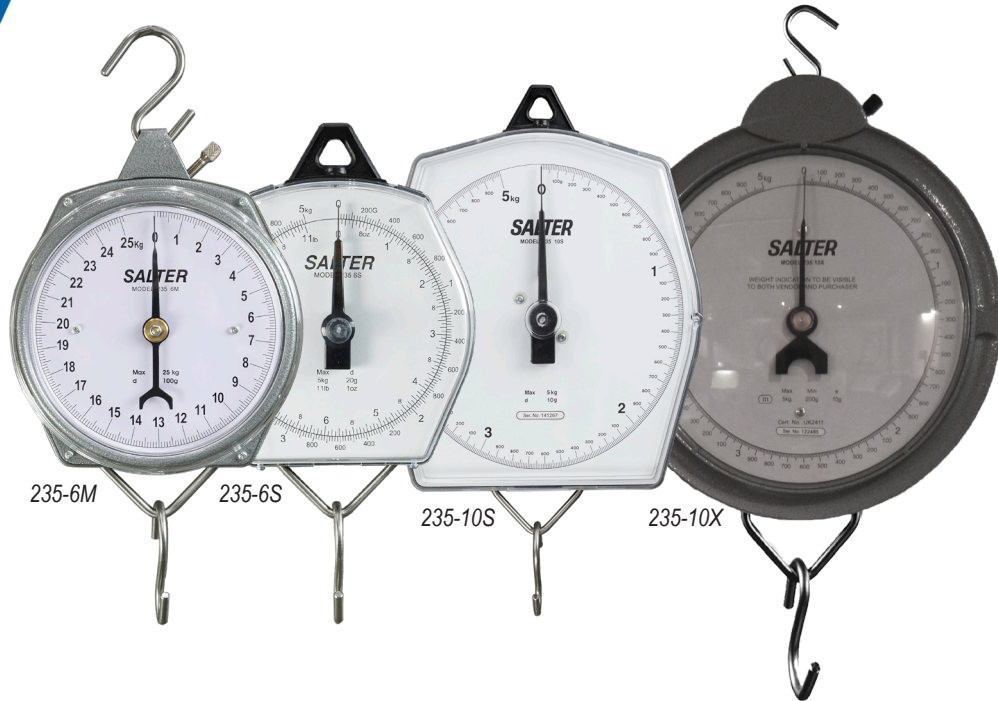


235 Series

Mechanical Hanging Scales



The robust 235 Salter Mechanical Hanging Scales provides high quality, repeatable accuracy at an affordable price. Designed and perfected by Salter over 250 years ago, these classic mechanical hanging scales continues to provide outstanding reliability for many years of use.

Designed and manufactured to last, the 235 Salter Mechanical Hanging Scales are all made from the highest quality materials and designed to deliver well over one million weighments in the life of the scale. Fitted with precision machined rack and pinions with fully corrosion resistant stainless steel hooks and tails.

Available in a wide range of capacities from 5 kg to 300 kg with easy-to-read dial markings and optional weigh pans.

The current Salter 235 Mechanical Hanging Scales are widely used around the world and are ideal for World Aid Agencies, shops, food markets, industrial and agricultural.



Accuracy

(235-6M)

1 part in 250 with up to 10% zero adjust

(235-6S)

1 part in 250 with up to 15% zero adjust

(235-10S)

1 part in 500 with up to 15% zero adjust

(235-10X)

1 part in 500 with up to 10% zero adjust



Capacity

5 kg x 10 g

5 kg x 20 g

10 kg x 50 g

25 kg x 100 g

50 kg x 200 g

100 kg x 500 g

300 kg x 1 kg



Construction

(235-6M) Metal case, corrosion resistant

(235-6S & 235-10S) ABS plastic housing with shatterproof polycarbonate dial cover

(235-10X) Robust die cast casing



Display

(236-6M & 235-6S) 150 mm / 6" diameter

(235-10S) 240 mm / 9.44" diameter

(235-10X) 257 mm / 10.12" diameter

235 Series Mechanical Hanging Scale

Specifications

235-6M

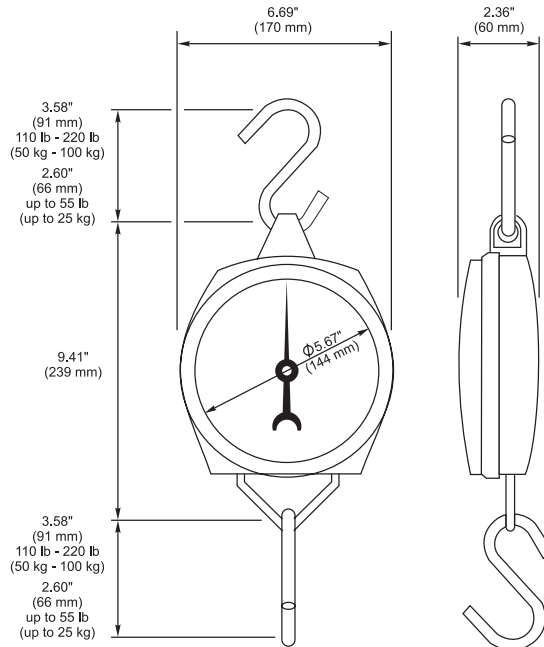
Compact, robust, 150 mm / 6" diameter dial housed in the traditional metal case. Accurate to one part in 250 with up to 10% zero adjustment. Supplied with stainless steel top and bottom hooks.

Capacity:

- 5 kg x 20 g
- 10 kg x 50 g
- 25 kg x 100 g
- 50 kg x 200 g
- 100 kg x 500 g

Scale Dimension (L x W x H):

- 210 mm x 200 mm x 80 mm
- 8.2" x 7.8" x 3"



235-6S

Compact, robust and corrosion resistant, 150 mm / 6" diameter dial housed in a tough ABS plastic case with shatterproof polycarbonate dial cover. Low friction acetal bearings provide positive movement to give maximum sensitivity. Accurate to one part in 250 with up to 15% zero adjust. Supplied with stainless steel top and bottom hooks.

Capacity:

- 5 kg x 20 g (dual marked with oblong pan)
- 10 kg x 50 g
- 25 kg x 100 g
- 50 kg x 200 g
- 100 kg x 500 g

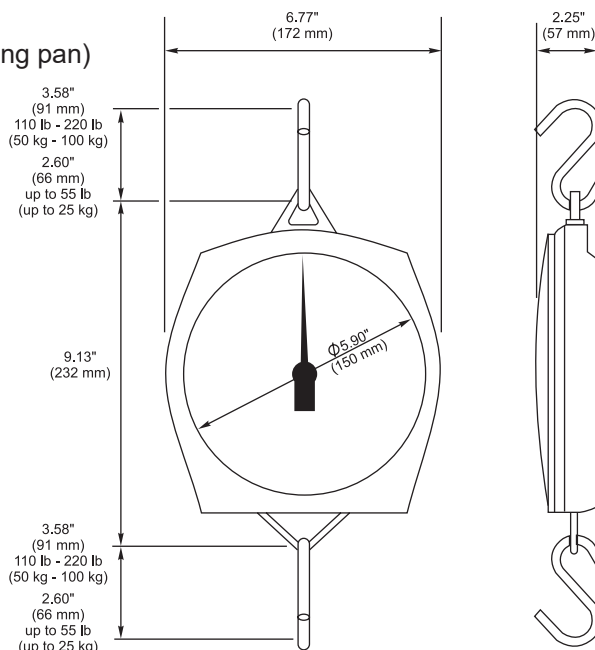
Scale Dimension (L x W x H):

- 210 mm x 200 mm x 80 mm
- 8" x 7.8" x 3"

Packaging Dimension (L x W x H):

- 210 mm x 200 mm x 80 mm
- 8" x 7.8" x 3"

Options: Oblong pan (5 kg)



235-10S

Robust and corrosion resistant, large easy-to-read 240 mm / 9.44" diameter dial housed in a tough ABS plastic case with a shatterproof polycarbonate dial cover. Low friction bearings provide positive movement to give maximum sensitivity. Accurate to one part in 500 with up to 15% zero adjust. Supplied with stainless steel top and bottom hooks.

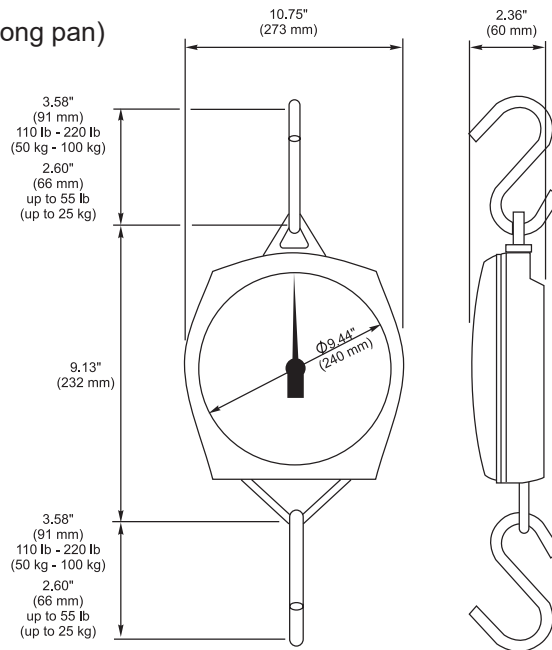
Capacity:

5 kg x 10 g (dual marked with oblong pan)

Scale Dimension (L x W x H):

210 mm x 200 mm x 80 mm
8.2" x 7.8" x 3"

Options: Oblong pan



235-10X

Heavy duty suspended scale. Easy-to-read dial housed in a robust die cast casing. Low friction bearings provides positive movement to give maximum sensitivity. Accurate to one part in 500 with up to 10% zero adjustment. Supplied with stainless steel top and bottom hooks as standard.

Capacity:

5 kg x 10 g (dual marked with oblong pan)
300 kg x 1 kg

Scale Dimension (L x W x H):

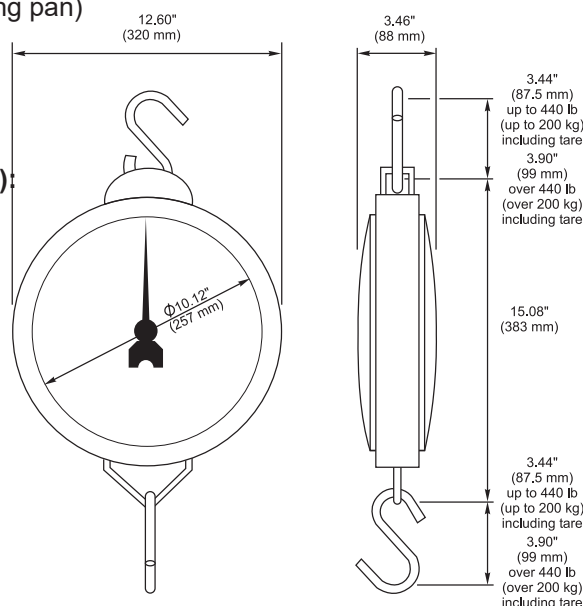
210 mm x 200 mm x 80 mm
8" x 7.8" x 3"

Packaging Dimension (L x W x H):

210 mm x 200 mm x 80 mm
8" x 7.8" x 3"

Option:

Oblong pan (5 kg)
Swivel pan





www.brecknellscales.com

www.brecknellscales.co.uk

Part of Avery Weigh-Tronix

Brecknell is part of Avery Weigh-Tronix. Avery Weigh-Tronix is a trademark of Illinois Tool Works group of companies whose ultimate parent company is Illinois Tool Works Inc ("Illinois Tool Works"). Copyright © 2024 Illinois Tool Works. All rights reserved. This publication is issued to provide outline information only and may not be regarded as a representation relating to the products or services concerned. This publication was correct at the time of going to print, however Avery Weigh-Tronix reserves the right to alter without notice the specification, design, price or conditions of supply of any product or service at any time.

235Series_RoW_L_indd
V3 AWT35-100104